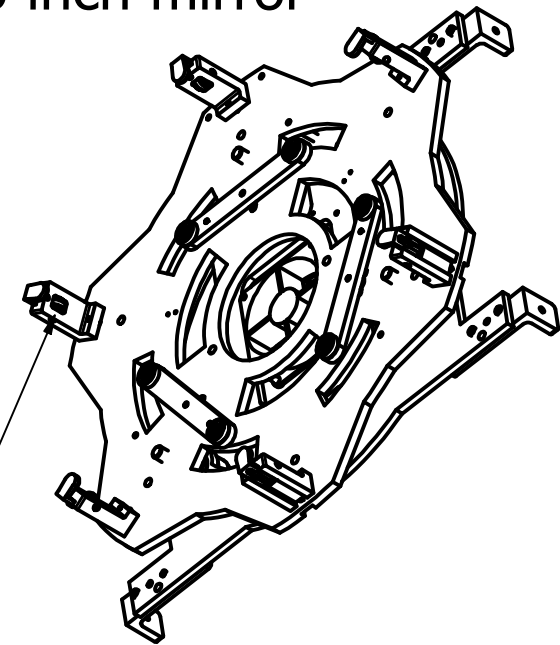
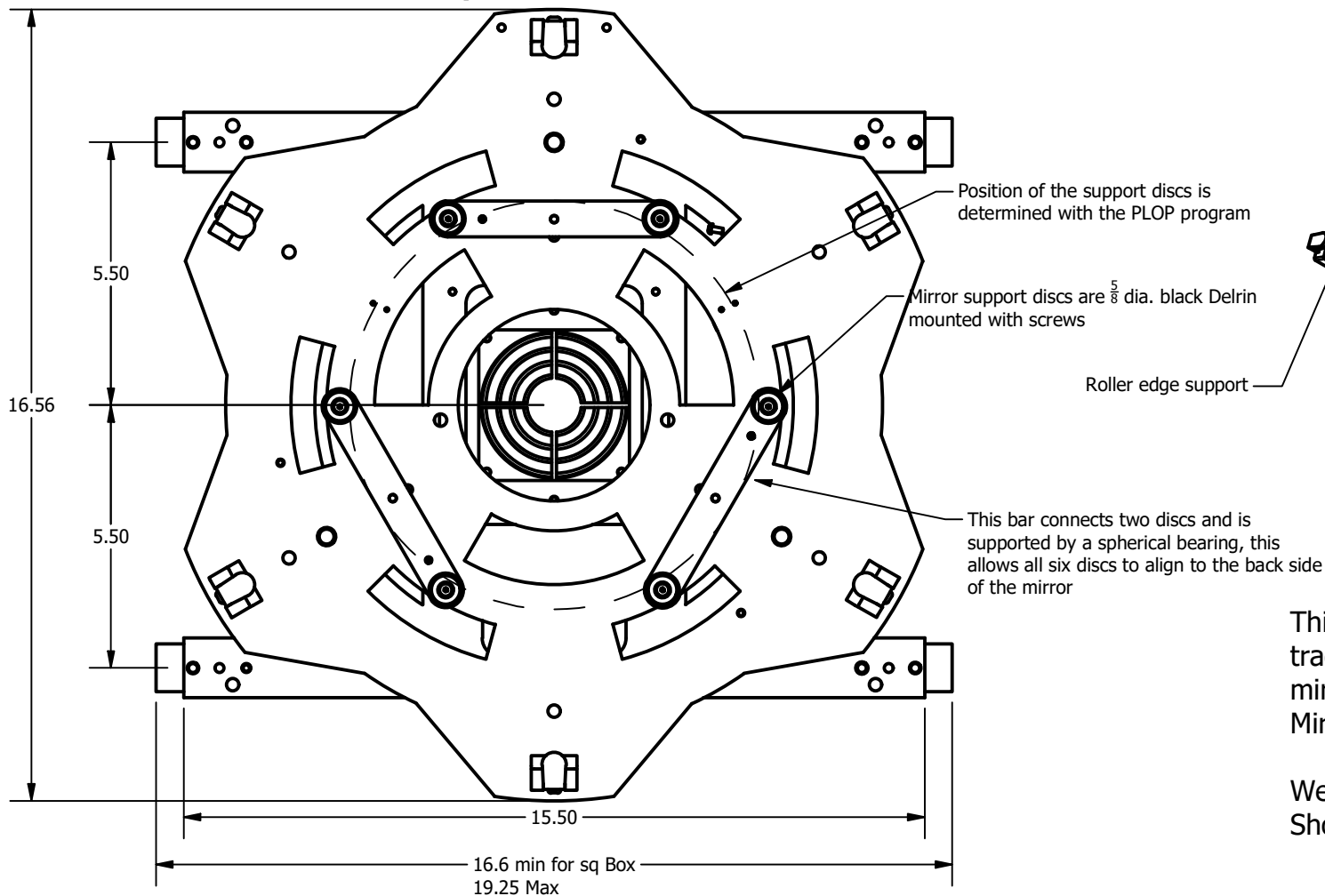


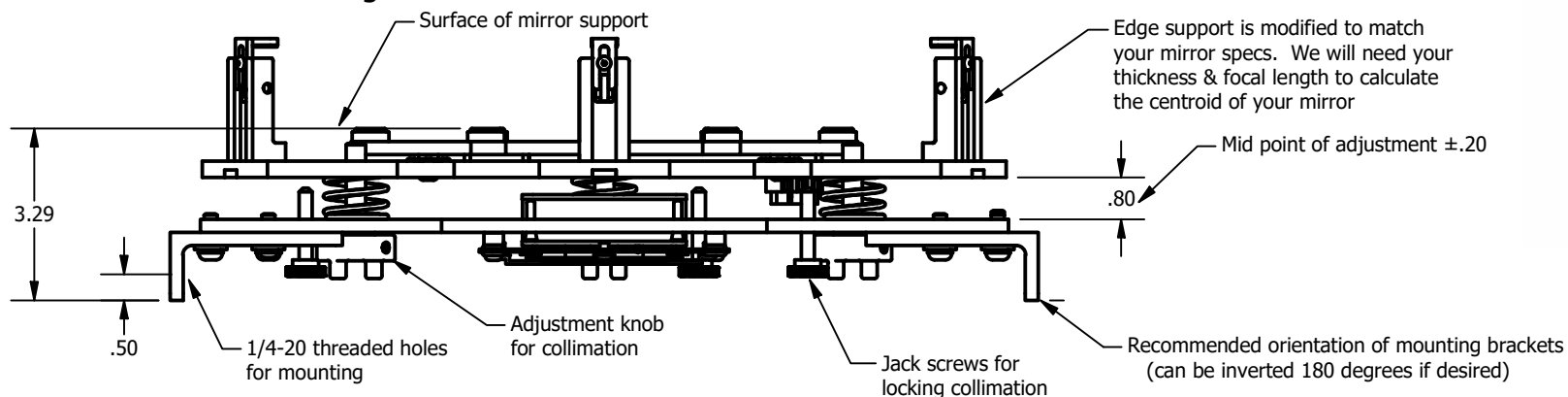
Model #EQ-15 Six point, Box mount mirror cell for a 15 inch mirror



This cell has 6 roller edge supports with traditional clip retainers to capture the mirror and is suitable for all focal lengths. Mirror thickness of .8-2.0 in. 20-51mm

Weight is 9 lbs, 14 oz - 4.34Kg
Shown with fan installed

Images shown are from a full scale model



www.aurorap.com
6644 SE Jerry Drive
Prineville, Oregon 97754
541-362-5965

EQ-15 Box spec sheet Rev1 11-12-2020
All dimensions are in inches