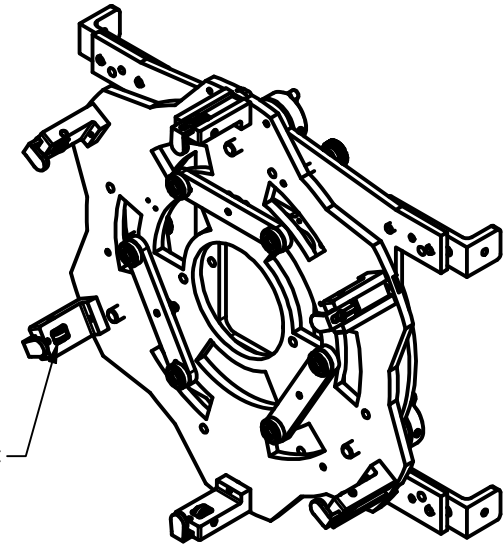
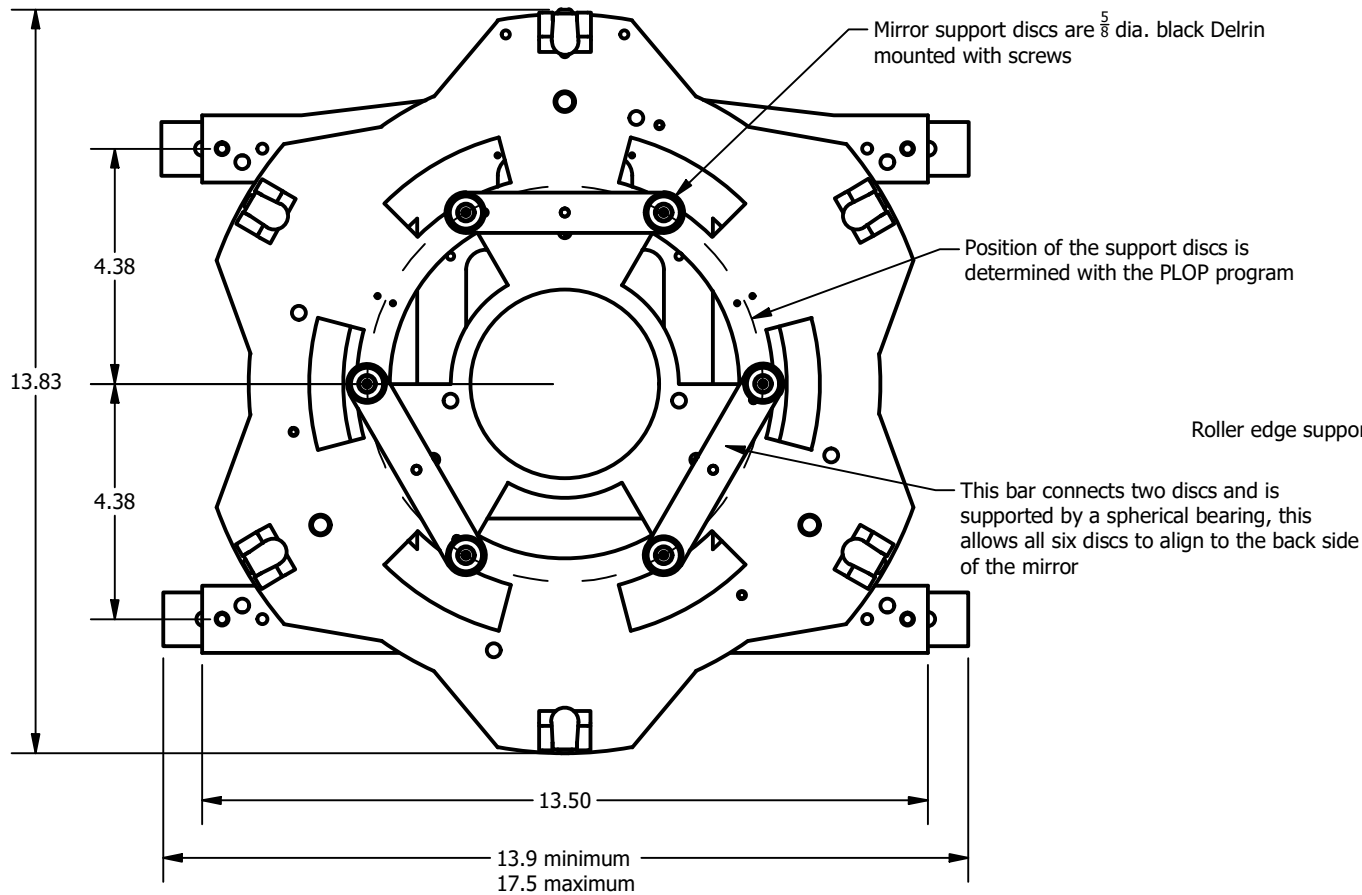


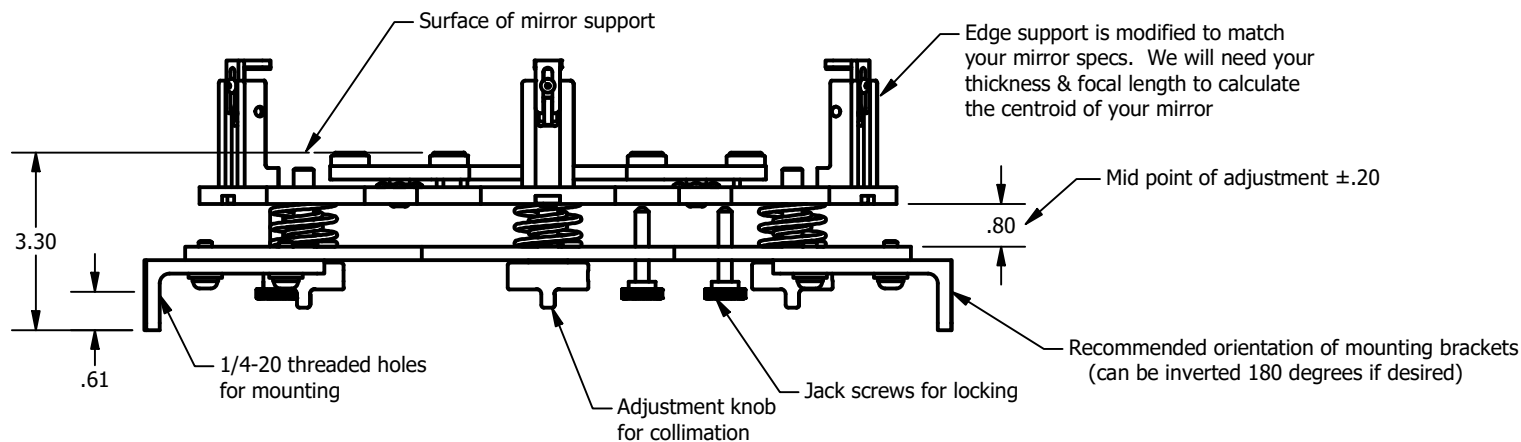
Model #EQ-12.5 Six point, Box mount mirror cell for an 12.5 inch mirror



This cell has 6 roller edge supports with traditional clip retainers to capture the mirror and is suitable for all focal lengths. Mirror thickness of .8-2.0 in. 20-51mm

Weight is 7 lbs, 5 oz - 3.32Kg

Images shown are from a full scale model



www.aurorap.com
 6644 SE Jerry Drive
 Prineville, Oregon 97754
 541-362-5965
 EQ-12.5 box spec sheet Rev1 5-25-2020
 All dimensions are in inches