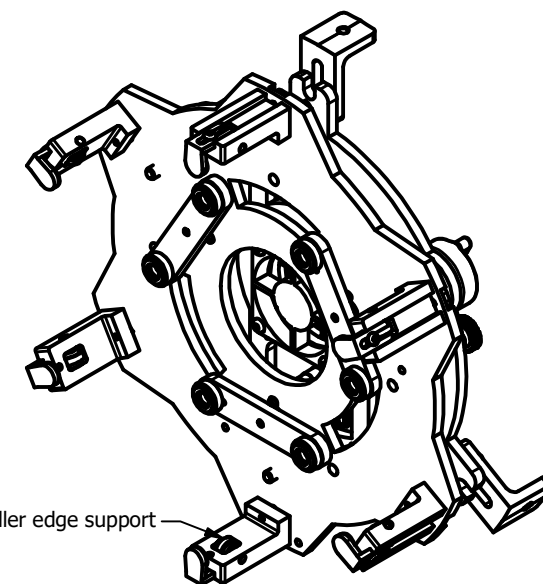
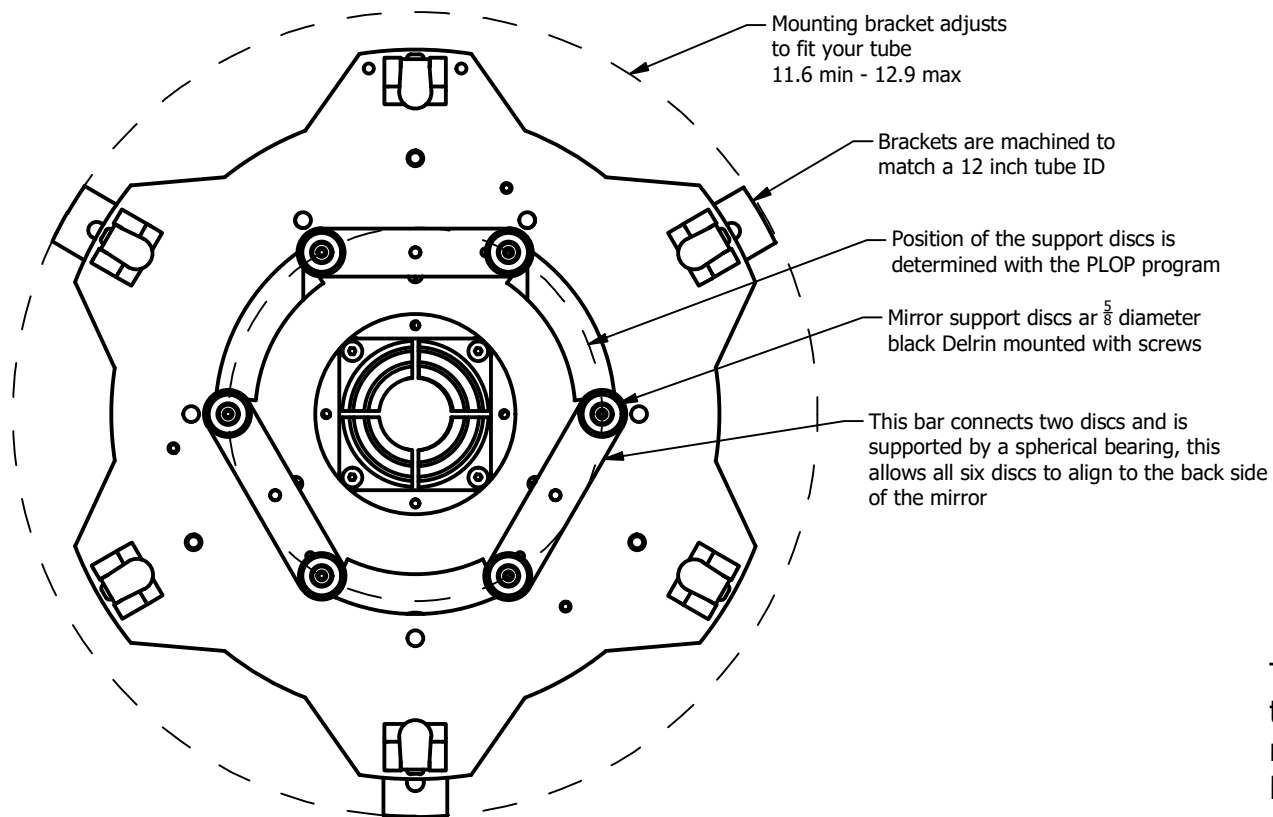


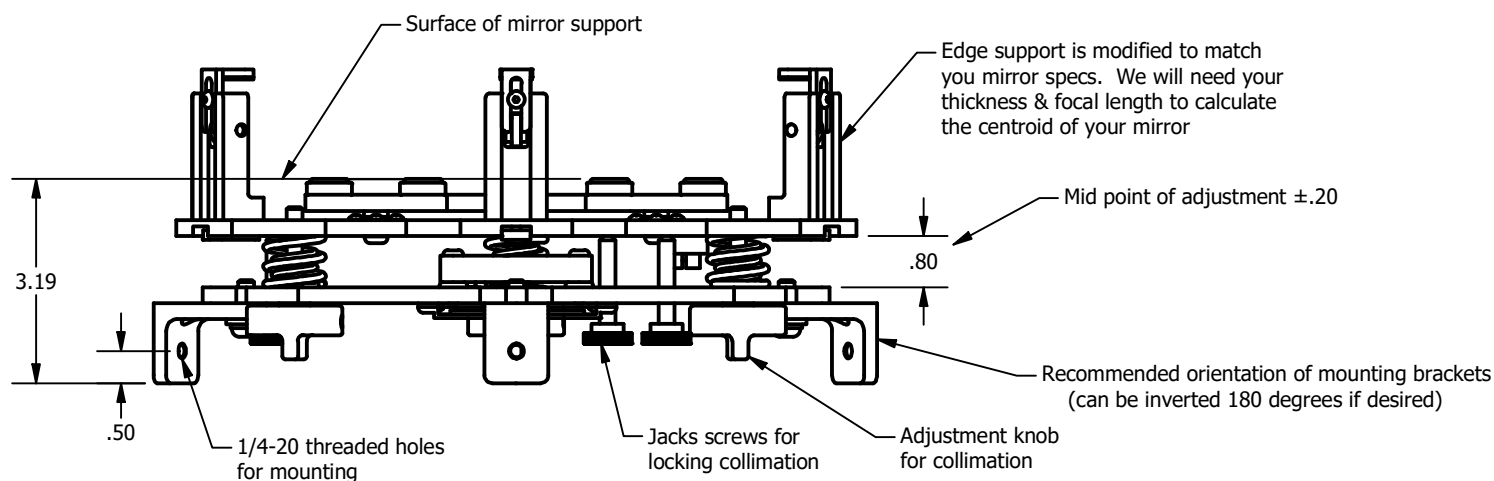
Model #EQ-10 Six point, tube mount mirror cell for an 10 inch mirror



This cell has 6 roller edge supports with traditional clip retainers to capture the mirror and is suitable for all focal lengths. Mirror thickness of .8-2.0 in. 20-51mm

Images shown are from a full scale model

Weight is 4 lbs, 8 oz - 2.01Kg
Shown with fan installed



www.aurorap.com
6644 SE Jerry Drive
Prineville, Oregon 97754
541-362-5965
EQ-10 tube spec sheet Rev1 5-22-2020
All dimensions are in inches