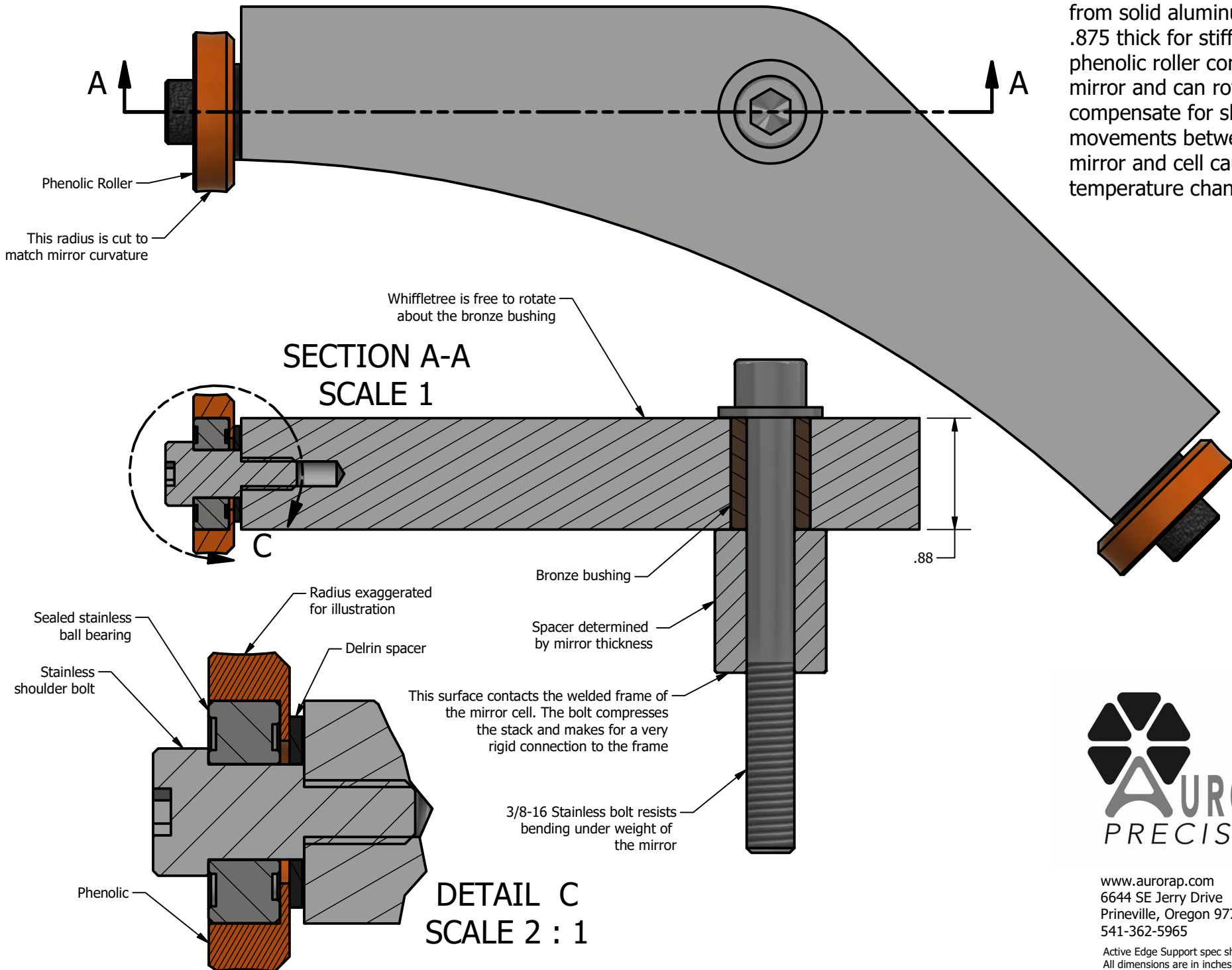


Details of our Active Edge Support design

The whiffletree is machined from solid aluminum and is .875 thick for stiffness. The phenolic roller contacts the mirror and can rotate to compensate for slight movements between the mirror and cell caused by temperature changes.



www.aurorap.com
 6644 SE Jerry Drive
 Prineville, Oregon 97754
 541-362-5965

Active Edge Support spec sheet Rev2 8-12-2021
 All dimensions are in inches