

RETAINER KIT for the AZ-mirror cell

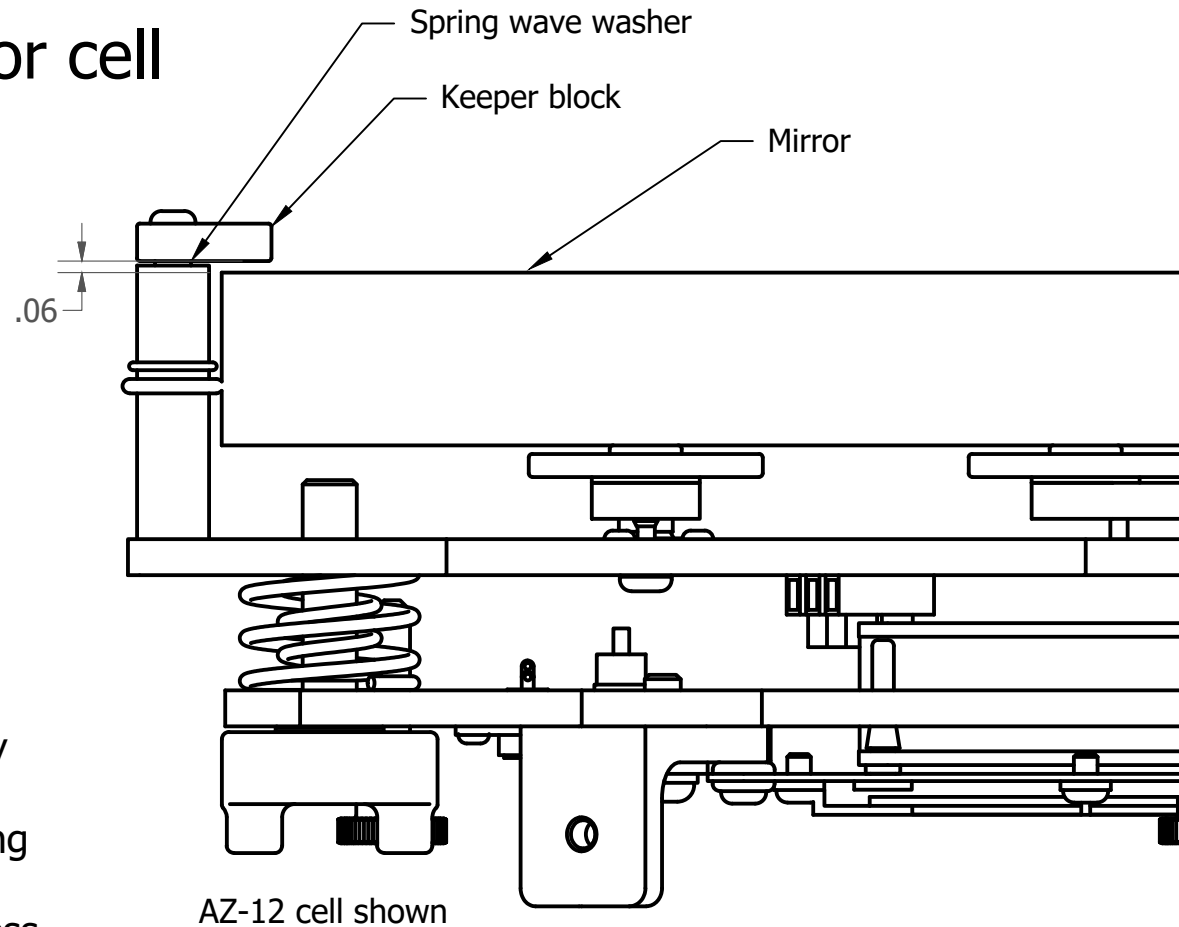
The RETAINER CLIPS are an option for our AZ-mirror cell line. They are black Delrin (plastic) blocks that can rotate over the top surface of the mirror to prevent it from falling out of the cell. When you are viewing, they can be rotated out of the light path.

They can be quite useful prior to gluing the mirror in place, or as a backup in case the unexpected happens to your scope.

Description:

- Guidepost length is matched to mirror thickness.
- Specify mirror thickness when ordering.
- Keepers have a spring washer under them so they stay where you put them.
- This option can be added to your cell when ordering or by you at a later time.
- Screws used on the keepers are blackened Stainless steel and have thread locker to prevent backing out.

One Retainer kit contains three guideposts with the keepers installed.



www.aurorap.com

6644 SE Jerry Drive
Prineville Oregon 97754
541-362-5965