

AZ line of Mirror Cells

Available in sizes from 6 inches to 14.5 inches

The AZ line of Mirror Cells is designed to use silicone RTV to adhere the mirror to a 6-point support system. When removing the mirror from the cell, the silicone will release from the discs and will stay with the mirror. Silicone is a time-proven method for mounting your mirror but not recommend for thin or slumped mirrors. This is our most cost-effective cell; we produce the components in batches to minimize cost.

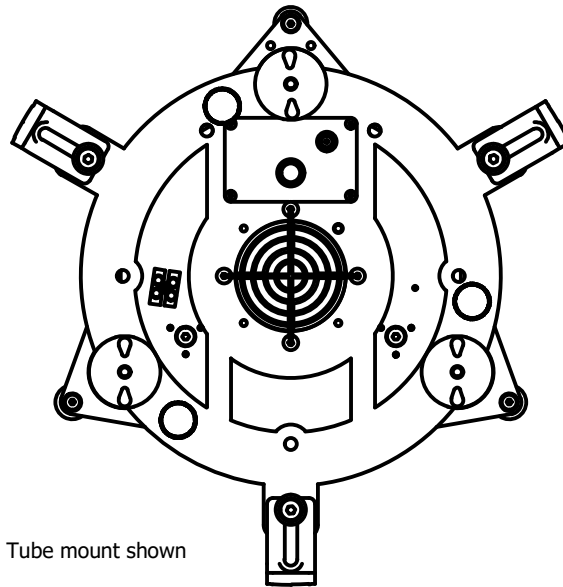
- Mirror support locations are determined using the PLOP program
- Spherical bearings allow for self-alignment to the mirror surface
- Mounting brackets are slotted to adjust to your tube or box
- Guide posts center mirror when applying silicone
- Fan Kits are available as an option
- Retainer kits are available as an option

Materials:

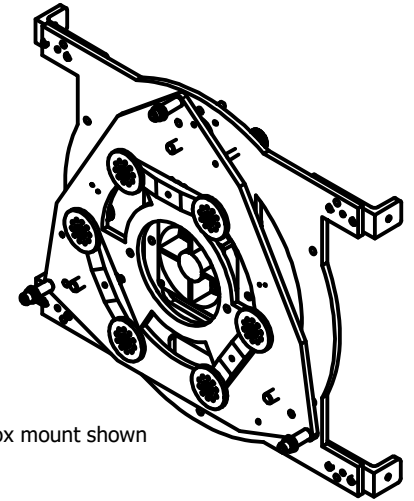
- Black anodized aluminum plates
- Delrin plastic
- Stainless Steel hardware
- Dow Corning #732 RTV is included
- 2.1mm x 5mm 12 volt power jack

For more information on a cell that fits your mirror size, see printable specification sheets.

10 inch Tube mount shown



14 inch box mount shown



This cell uses silicone RTV to hold the mirror in place and is suitable for all focal lengths



www.aurorap.com
6644 SE Jerry Drive
Prineville, Oregon 97754
541-362-5965

AZ line spec sheet, rev1 2-18-20
All dimensions are in inches