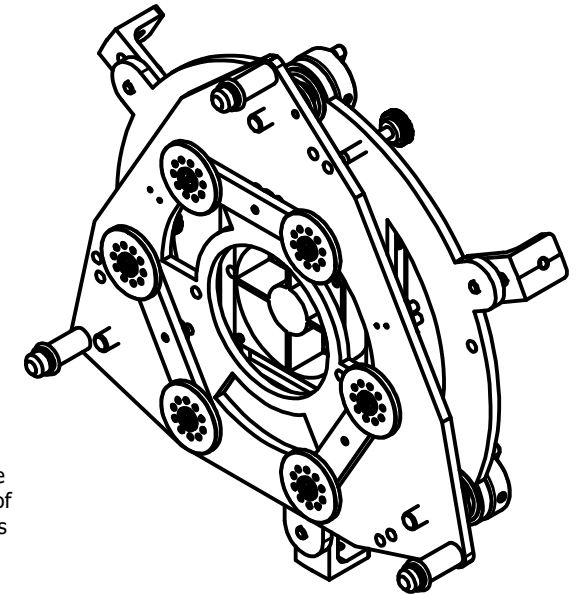
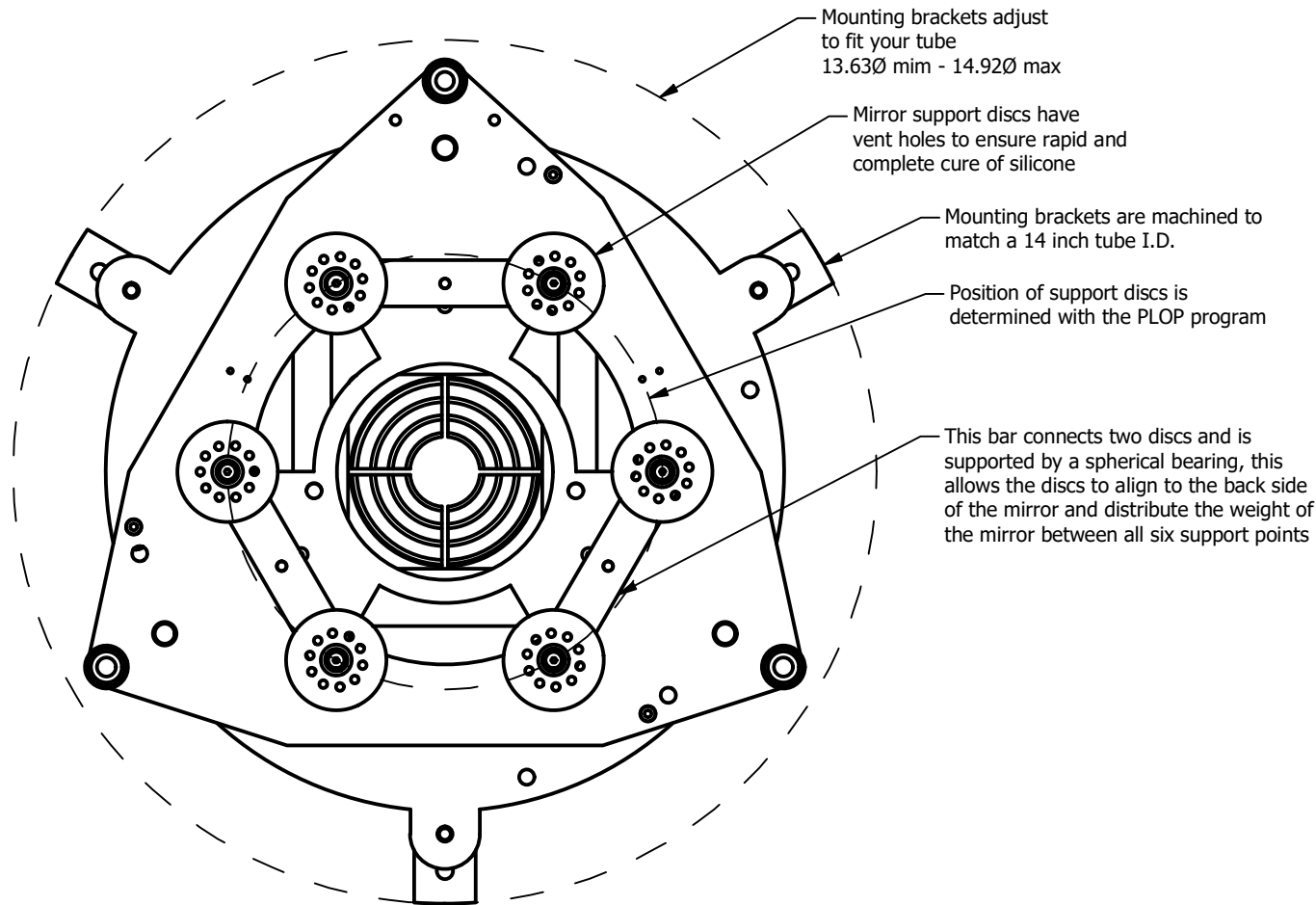


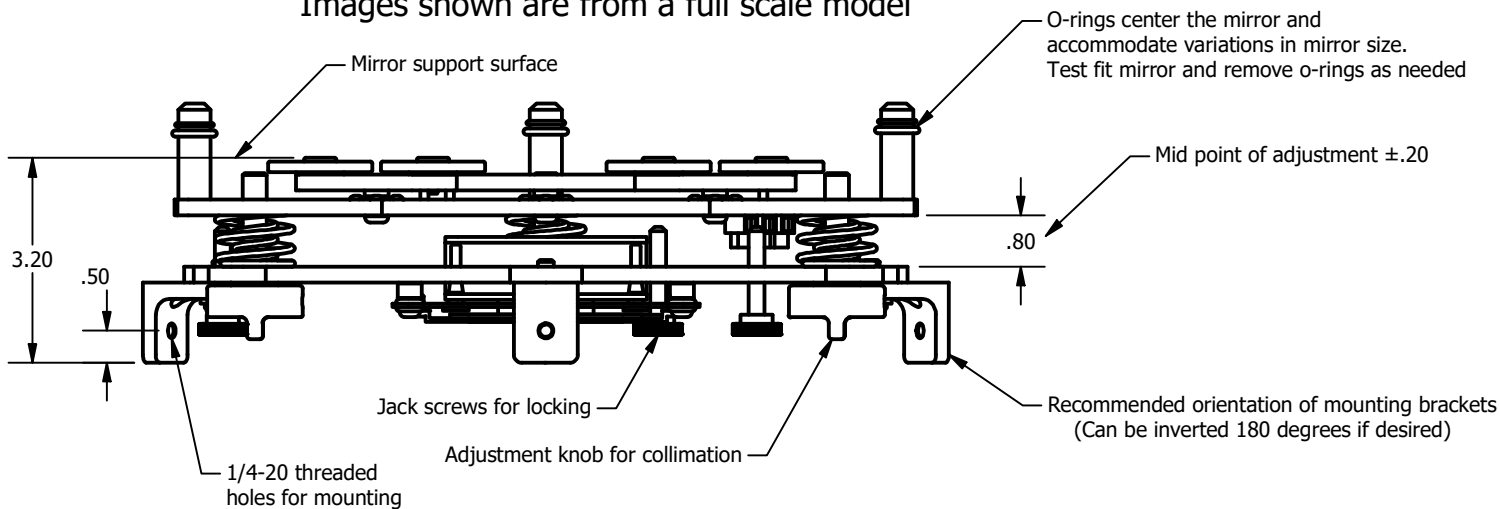
Model #AZ-12 Six point, tube mount mirror cell for an 12 inch mirror



This cell uses silicone RTV to hold the mirror in place and is suitable for all focal lengths, and thickness of .65 - 1.95 inches.

Weight is 4 lbs, 10 oz - 2.1Kg
Shown with fan installed

Images shown are from a full scale model



www.aurorap.com
6644 SE Jerry Drive
Prineville, Oregon 97754
541-362-5965

AZ-12 tube spec sheet Rev1 12-26-19
All dimensions are in inches