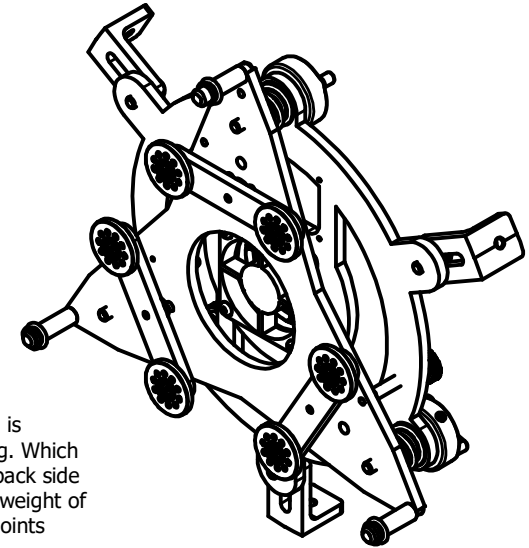
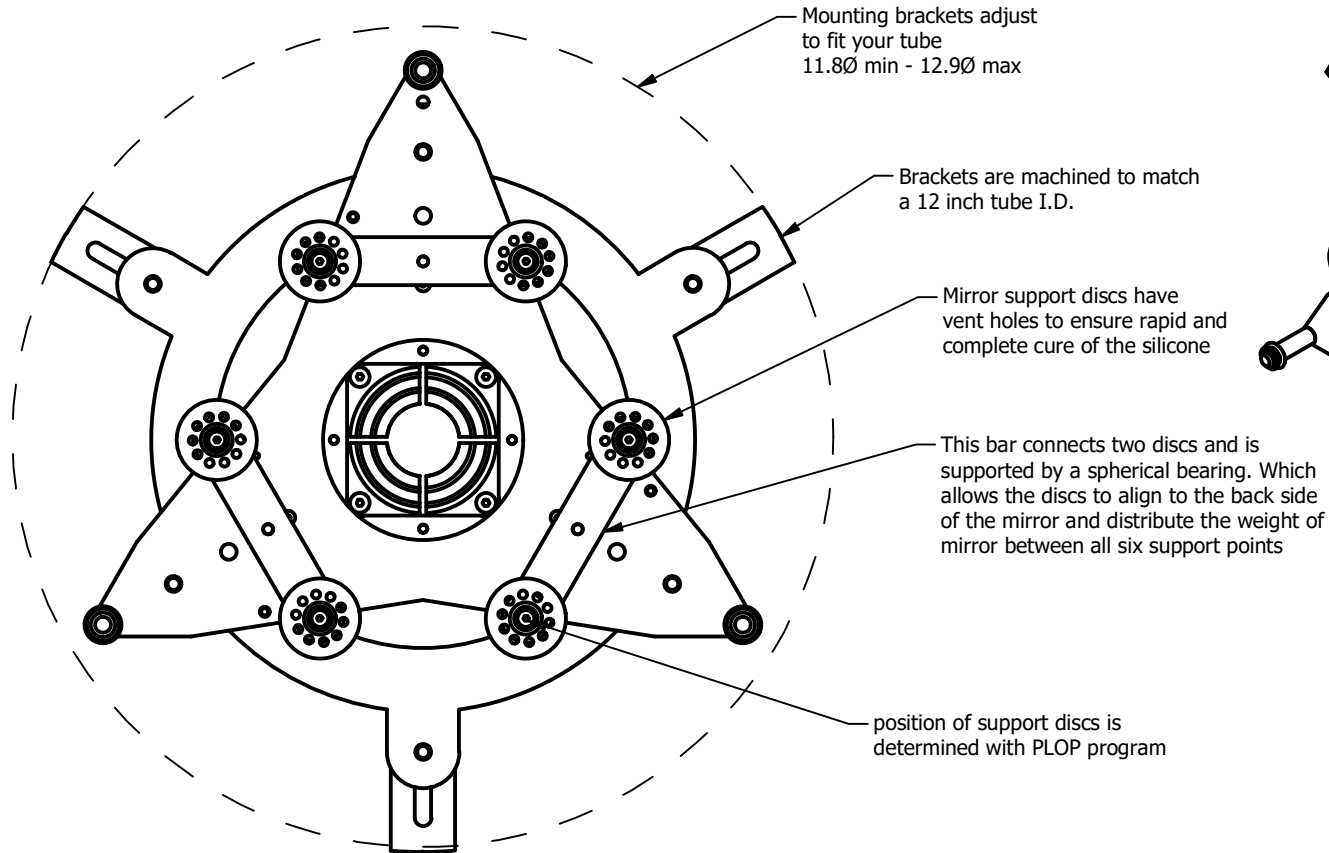


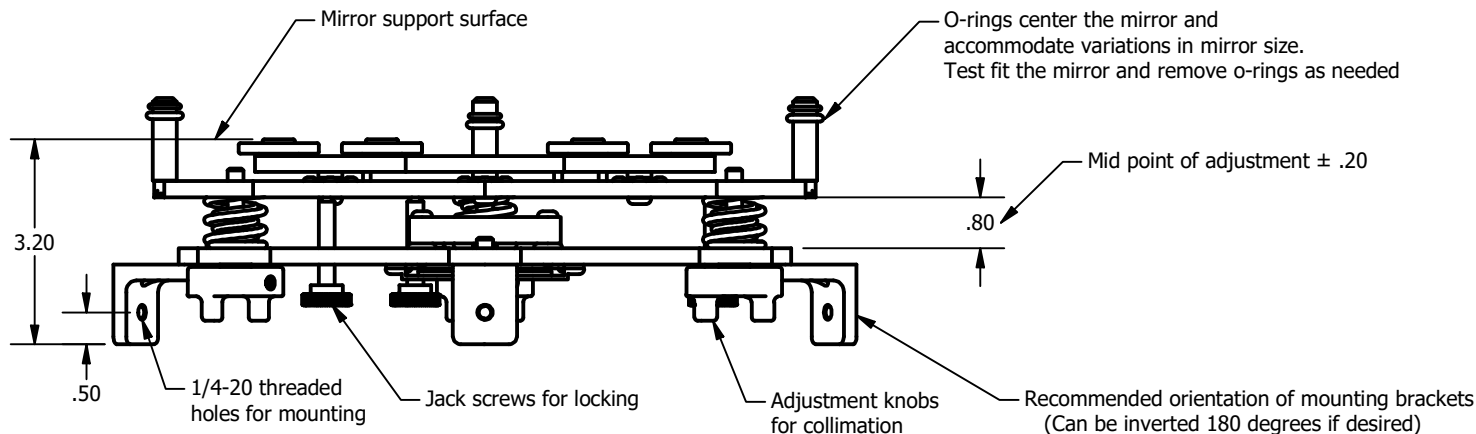
# Model #AZ-11 Six point, tube mount mirror cell for an 11 inch mirror



This cell uses silicone RTV to hold the mirror in place and is suitable for all focal lengths and thickness of .65 - 1.95 inches.

Weight is 3 lbs 2 oz - 1.42Kg  
Shown with fan installed

Images shown are from a full scale model



www.aurorap.com  
6644 SE Jerry Drive  
Prineville, Oregon 97754  
541-362-5965

AZ-11 tube spec sheet Rev5 12-26-19  
All dimensions are in inches