

# Tube Bracket 3/4 dia. tubes Model TB0750

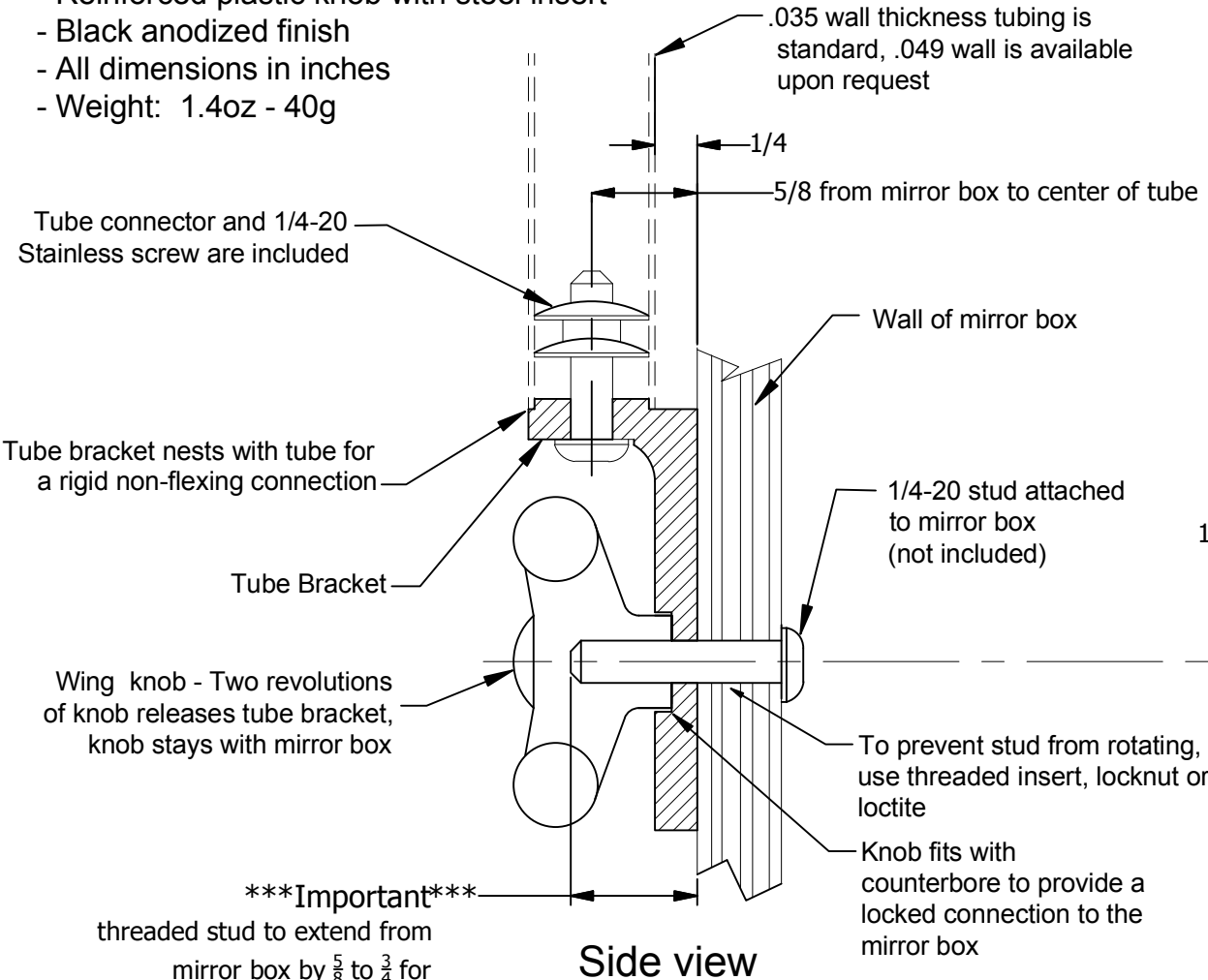
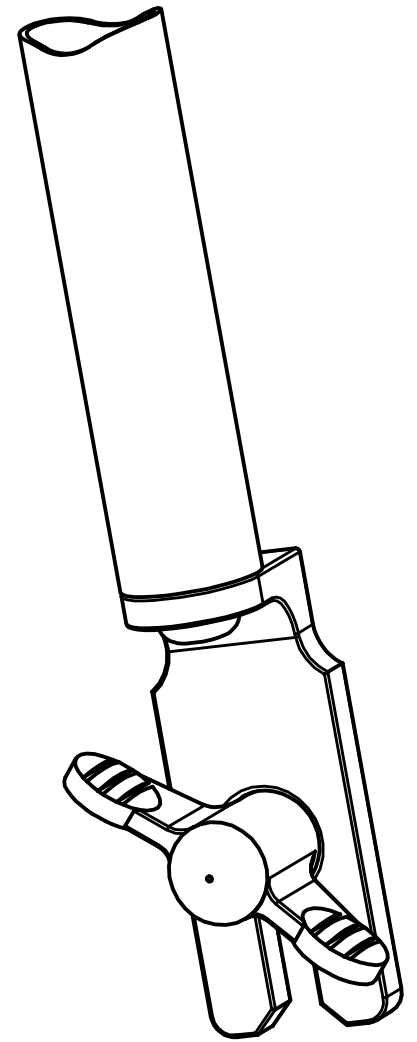
This tube bracket is a lower cost solution to our rugged tube clamp Model #TC0750, and is a great improvement over the old method of flattening the ends of your tubes.

- Machined from 1/4 in. thick aluminum angle
- Knob stays with mirror box during transport
- Can be mounted on the inside or outside of mirror box
- Locks truss poles to mirror box to maintain collimation
- Fast on-off, slip fork over mounting stud, tighten knob
- Reinforced plastic knob with steel insert
- Black anodized finish
- All dimensions in inches
- Weight: 1.4oz - 40g

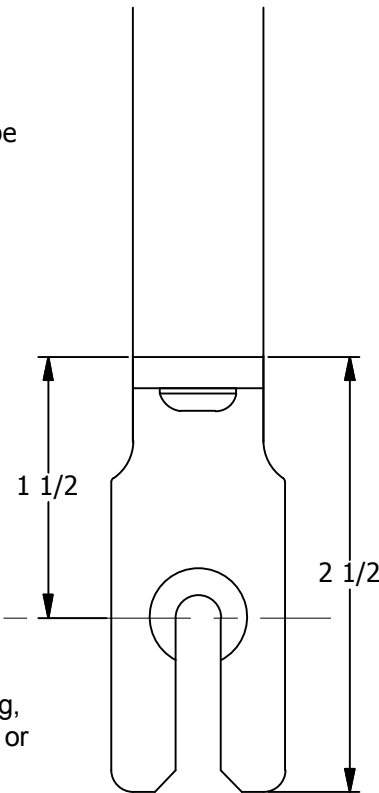
Price \$13.00 ea.

Includes:

- 1 Bracket
- 1 Knob
- 1 Tube connector
- 1 1/4-20 x 1 SS BHCS



Cut away showing knob interlocked with tube Bracket



Front view without wing knob

Drawings are approx 7/8 scale  
Rev2 6-14-12 sheet 1 of 1



www.aurorap.com  
20420 Boones Ferry Rd. NE  
Aurora, Oregon 97002  
503-678-6300